



Installation Instructions
717984
2007-14 TOYOTA FJ CRUISER
4.0L ENGINE

OVERVIEW:

1. Take a moment to read and understand these instructions before installing your Flowmaster performance system.

NOTE: Please inventory all parts now before continuing and if necessary, report any missing items to our tech line. This will avoid potentially stranding your vehicle until any missing replacement parts arrive.

ITM #	PART #	DESCRIPTION	QTY.
1	939TBM	Inlet Pipe	1
2	70006-584	Muffler Assembly	1
N/A	PK1059	Hardware Package includes:	1
3	MC300BS	3" Stainless Band Clamp	1

REMOVE STOCK EXHAUST SYSTEM:

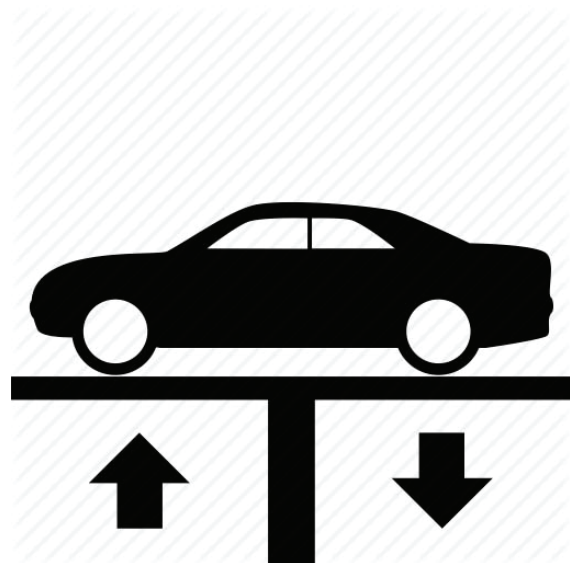
2. Raise vehicle up on a hoist or rack to working height. If you don't have access to a hoist or rack, support vehicle with jack stands.

WARNING:

Avoid serious burns! Allow your vehicle time to cool completely before touching any factory engine components.

To ease preparation and installation of your new kit:

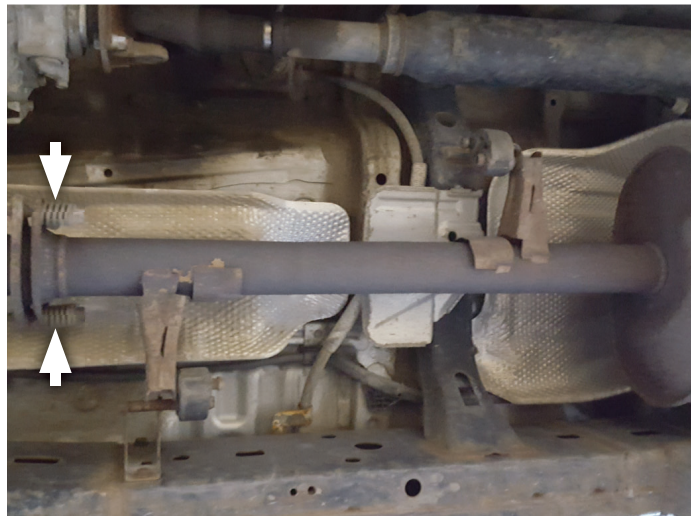
- Apply penetrating lubricant to mounts, bolts and clamps before you remove them.
- Use stands as necessary to support parts as you detach them from your vehicle and again as you install new parts.



- Cut tailpipe at muffler exit. Disassemble hanger wires from isolators and remove tailpipe section from vehicle.



- Support muffler and disassemble wire hangers from isolators. Remove and retain (x2 ea.) bolts and springs at both front flanged connections then remove muffler assembly.



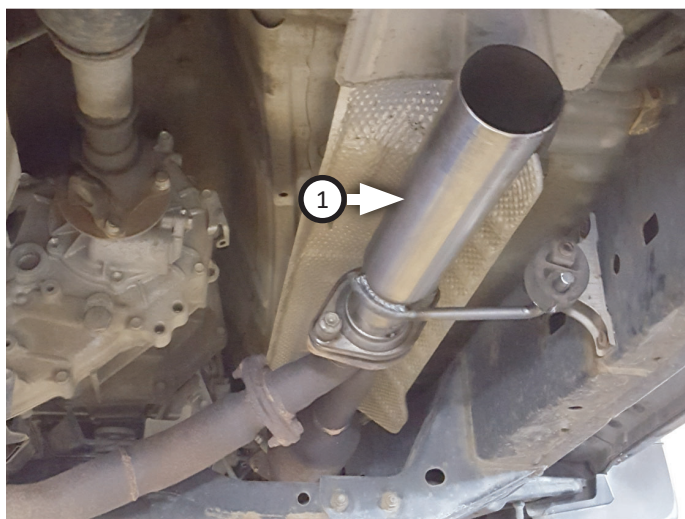
INSTALL FLOWMASTER EXHAUST SYSTEM:

- Apply anti-seize compound to threaded fasteners for a more secure install.

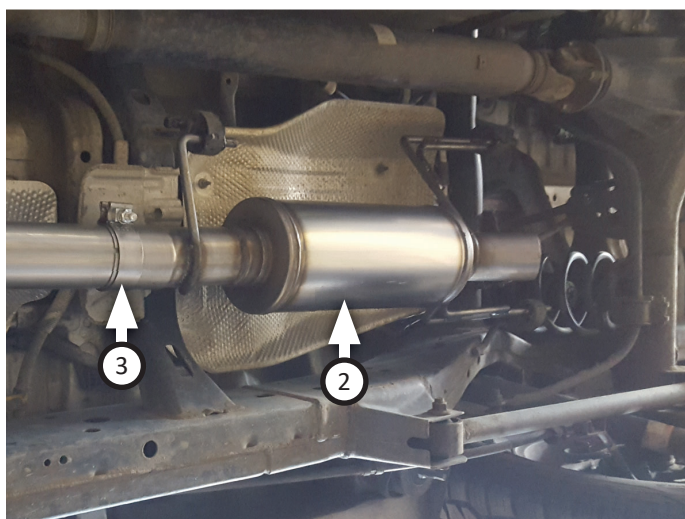
NOTE: The image in this step is intended for illustrative purposes only and may or may not accurately reflect components included in your kit.



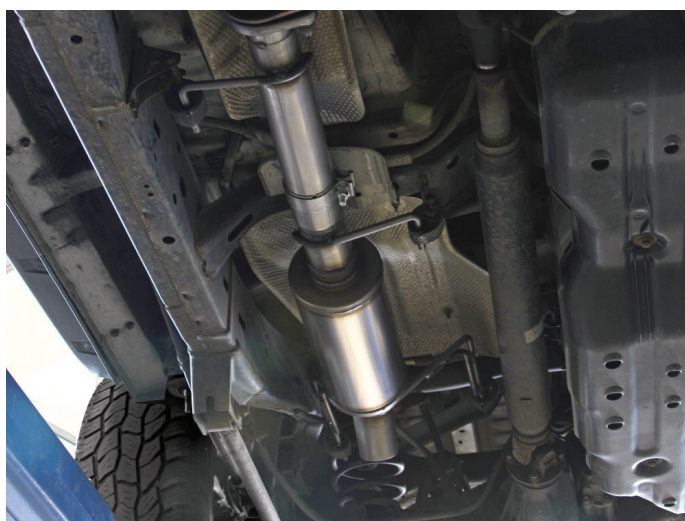
6. Connect **inlet pipe (1)** to factory pipe, insert wire hanger into isolator and fasten flanges with (x2 ea.) bolts and springs (removed step 4).



7. Place **clamp (3)** onto end of inlet pipe. Connect **muffler (2)** to inlet pipe and inserting wire hangers into isolators.
8. Adjust exhaust components for fit; maintaining 1/2" clearance and compensating for suspension, travel and vibration then tighten clamp.
9. Recommended: Secure slip-fit connections with a 1-inch tack weld then spray high-temp paint over each weld to prevent rust and premature corrosion.



Congratulations, the installation of your FLOWMASTER performance exhaust system is now complete!





Installation Diagram
717984
2007-14 TOYOTA FJ CRUISER
4.0L ENGINE

