

INSTALLATION INSTRUCTIONS

MSD DIS Coil Simulator PN 8922

ONLINE PRODUCT REGISTRATION: Register your MSD product online. Registering your product will help if there is ever a warranty issued with your product and helps the MSD R&D team create new products that you ask for! Go to www.msperformance.com/registration

WARNING: During installation, disconnect the battery cables. When disconnecting the battery, always remove the Negative cable first and install it last.

Parts Included:

1 – Coil Simulator

1 – Double Sided Tape

Note: MSD offers PN 8898, a replacement harness equipped with bullet connectors for easy installation, for DIS-4 and DIS-4 high-output ignitions.

MOUNTING

1. Mount the Coil Simulator in a location that is away from direct engine heat sources and where all of the wiring will easily reach the MSD Ignition.
2. Use of double sided tape (supplied) or tie wraps are recommended depending on the final mounting area.
3. Also (optional), use the Coil Simulator as a template, mark the location of the mounting holes, remove the unit and drill each location using a 1/4" drill bit, and secure the adapter using 1/4" hardware (not supplied).

WIRING

Pair the wires to their matching color and mating connector. See Figure 1 for wiring details using a DIS-4 Plus, and Figure 2 for wiring details using a DIS-2 Plus.

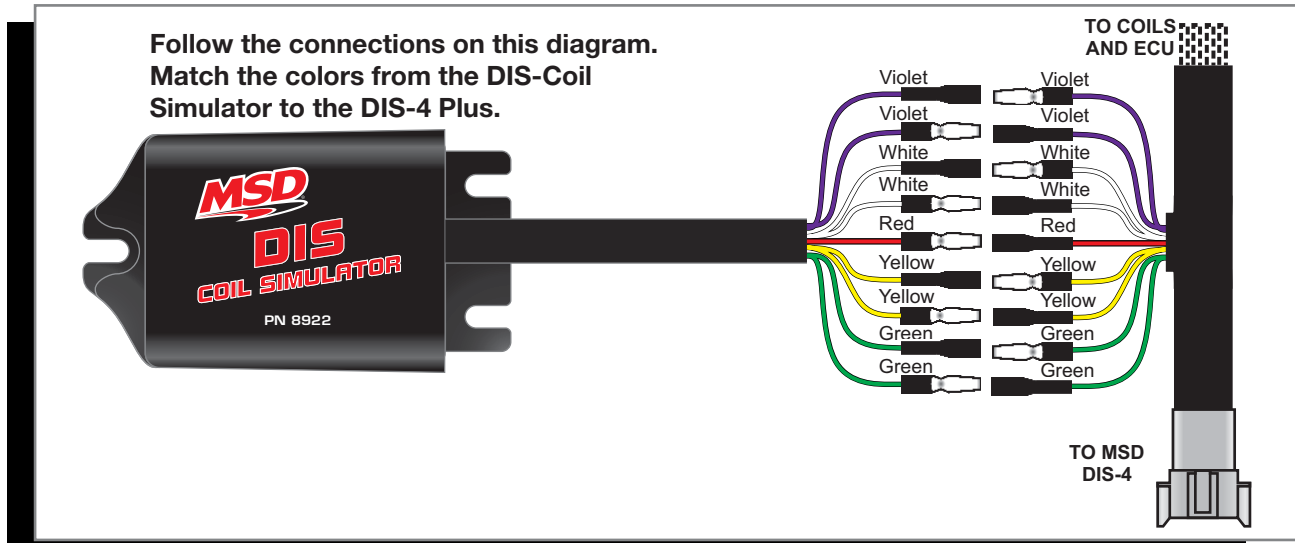


Figure 1 Installation to an MSD DIS-4 using Four Channels.

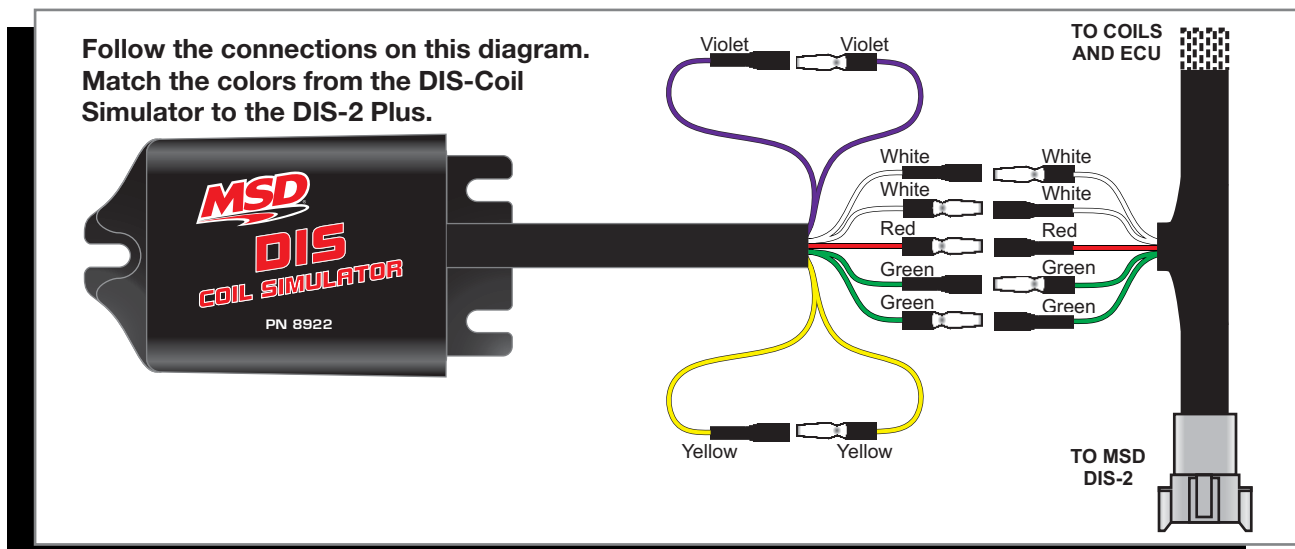


Figure 2 Installation to an MSD DIS-2 using Two Channels.

Limited Warranty

MSD warrants this product to be free from defects in material and workmanship under its intended normal use*, when properly installed and purchased from an authorized MSD dealer, for a period of one year from the date of the original purchase. This warranty is void for any products purchased through auction websites. If found to be defective as mentioned above, it will be repaired or replaced at the option of MSD. Any item that is covered under this warranty will be returned free of charge using Ground shipping methods.

This shall constitute the sole remedy of the purchaser and the sole liability of MSD. To the extent permitted by law, the foregoing is exclusive and in lieu of all other warranties or representation whether expressed or implied, including any implied warranty of merchantability or fitness. In no event shall MSD or its suppliers be liable for special or consequential damages.

*Intended normal use means that this item is being used as was originally intended and for the original application as sold by MSD. Any modifications to this item or if it is used on an application other than what MSD markets the product, the warranty will be void. It is the sole responsibility of the customer to determine that this item will work for the application they are intending. MSD will accept no liability for custom applications.